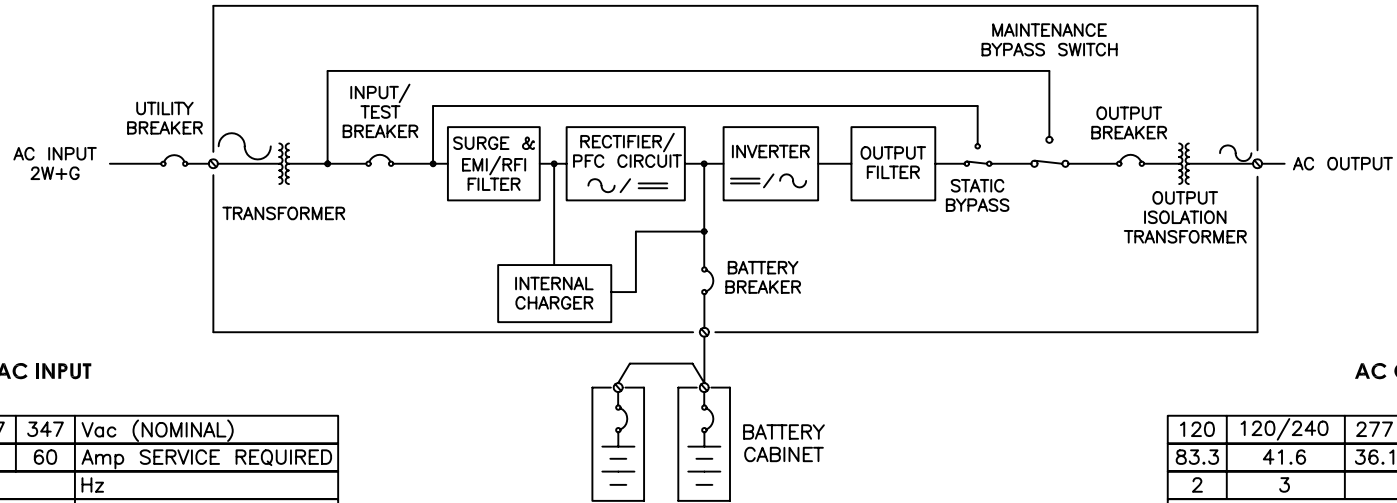


EMERGENCY LIGHTING INVERTER



AC INPUT

208	240	277	347	Vac (NOMINAL)
100	80	70	60	Amp SERVICE REQUIRED
60			Hz	
1			PHASE	
2			WIRE PLUS GROUND	

AC OUTPUT

120	120/240	277	347	Vac (NOMINAL)
83.3	41.6	36.1	28.8	Amps
2	3	2		WIRE PLUS GROUND
60			Hz	
1			PHASE	

BTU RATING

BTU 6603
KW 1.96

BATTERY DATA

BATTERIES: Always On

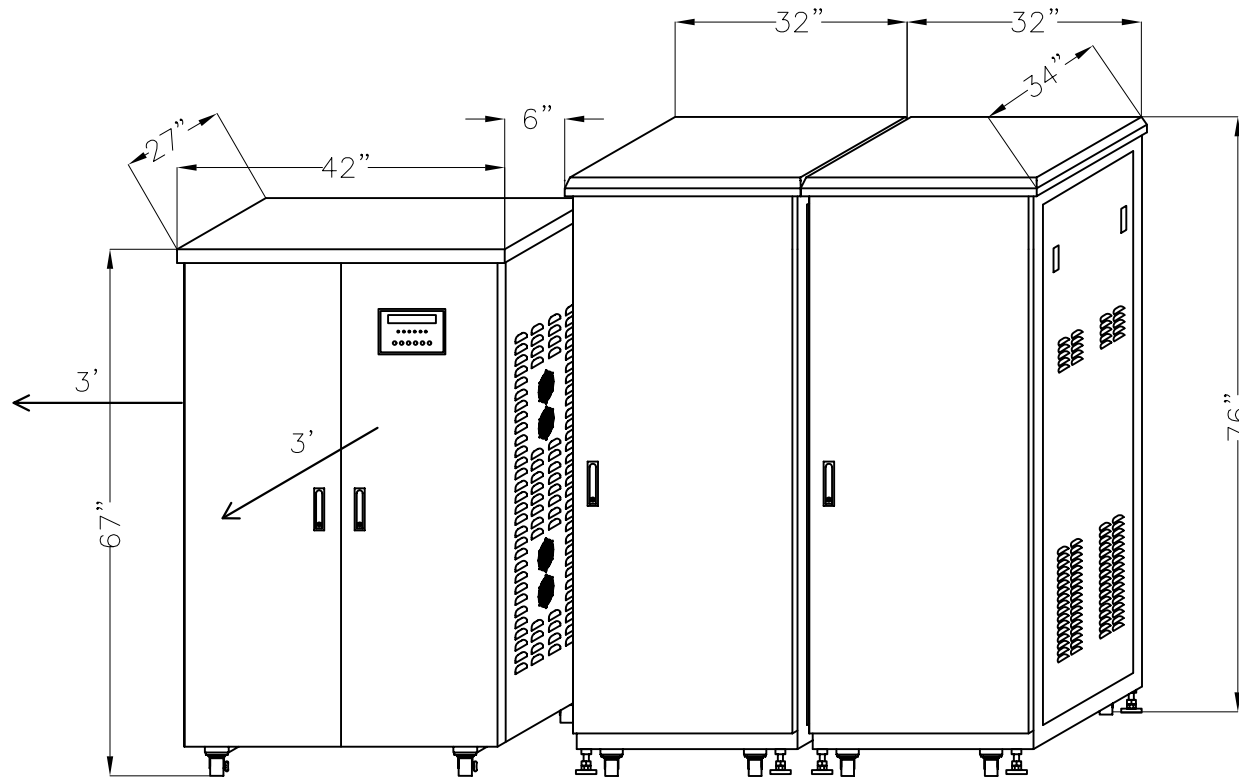
TYPE: VRLA

RUN TIME: 120 MINUTES

STANDARD

F.A. CONTACTS
AS400 CARD

Always On UPS Systems Inc.		Kelowna B.C. alwayson.com PH:877-259-2976
AURORA 10KW SINGLE LINE 120 MINUTE BBU		Reproduction and/or use without express permission is prohibited by law.
FILE: AURORA 10KW 120MIN	VERSION: 1.0	DRAWN BY: HL
PAGE: 1/2	DATE: 080725	PROJECT: AURORA
		DESIGNED BY: AA



ELI CABINET
42"X27"X67"

BATTERY CABINET
32"X34"X76"

BATTERY CABINET
32"X34"X76"

WEIGHT

ELI CABINET 950LBS / 431KG
BATTERY CABINET 2X2214LBS / 2X1004KG

STANDARD

DRIP SHIELD

Always On UPS Systems Inc.

Kelowna B.C.
alwayson.com
PH:877-259-2976

AURORA 10KW DIMENSION
120 MINUTE BBU

Reproduction and/or
use without express
permission is
prohibited by law.

FILE: AURORA 10KW 120MIN

VERSION: 1.0

DRAWN BY: HL

PAGE: 2/2

DATE: 080725

PROJECT: AURORA

DESIGNED BY: AA