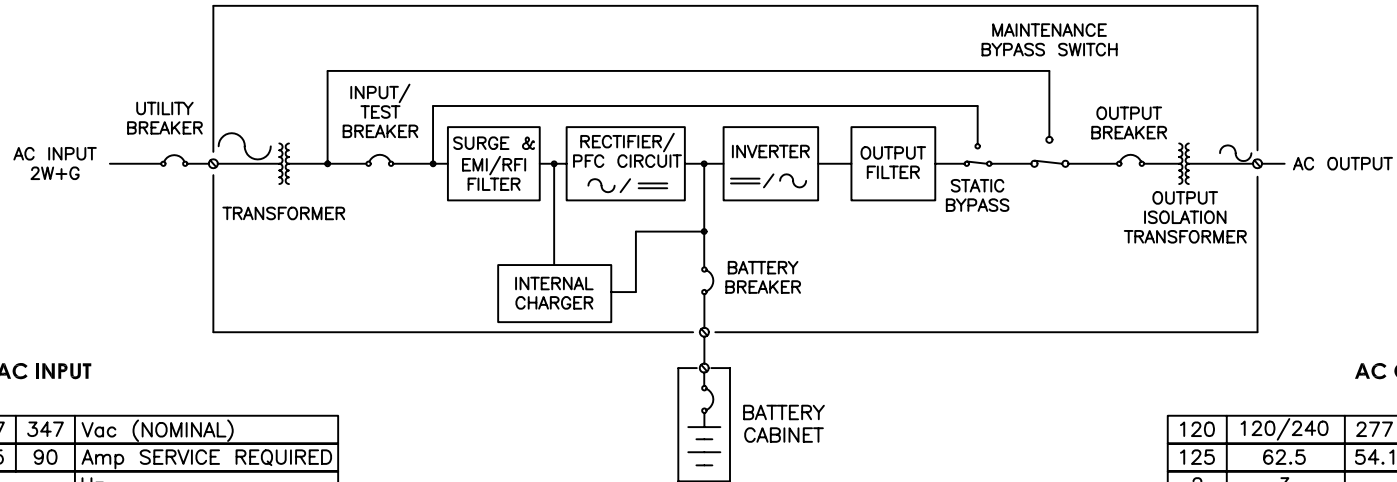


**EMERGENCY LIGHTING INVERTER**



**AC INPUT**

208	240	277	347	Vac (NOMINAL)
150	125	125	90	Amp SERVICE REQUIRED
60				Hz
1				PHASE
2				WIRE PLUS GROUND

**AC OUTPUT**

120	120/240	277	347	Vac (NOMINAL)
125	62.5	54.1	43.2	Amps
2	3	2	WIRE PLUS GROUND	
60				Hz
1				PHASE

**BATTERY DATA**

BATTERIES: Always On

TYPE: VRLA

RUN TIME: 30, 60 MINUTES

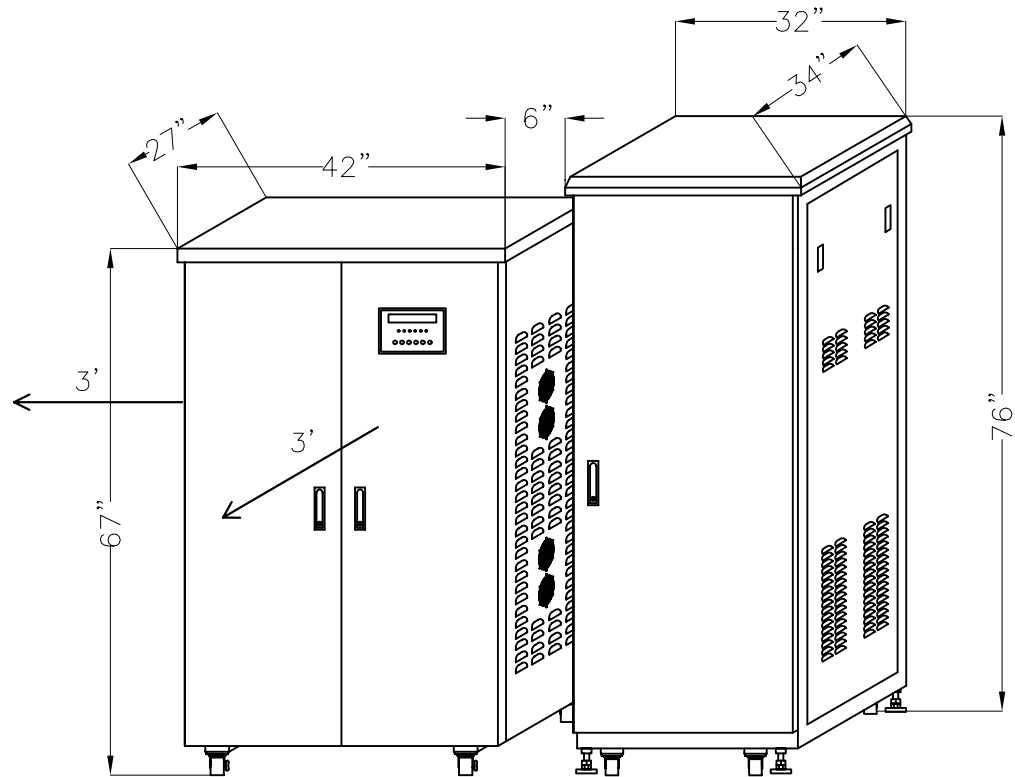
**BTU RATING**

BTU 9570  
KW 2.84

**STANDARD**

F.A. CONTACTS  
AS400 CARD

<b>Always On UPS Systems Inc.</b>		Kelowna B.C. alwayson.com PH:877-259-2976
AURORA 15KW SINGLE LINE 30/60 MINUTE BBU		Reproduction and/or use without express permission is prohibited by law.
FILE: AURORA 15KW 30_60MIN	VERSION: 1.0	DRAWN BY: HL
PAGE: 1/2	DATE: 080725	PROJECT: AURORA DESIGNED BY: AA



ELI CABINET  
42"X27"X67"

BATTERY CABINET  
32"X34"X76"

**WEIGHT**

ELI CABINET 1676LBS / 760KG

BATTERY CABINET (LBS/KG)

30MIN	60MIN
2214/1004	2776/1259

**STANDARD**

DRIP SHIELD

<b>Always On UPS Systems Inc.</b>		Kelowna B.C. alwayson.com PH:877-259-2976	
AURORA 15KW DIMENSION 30/60 MINUTE BBU		Reproduction and/or use without express permission is prohibited by law.	
FILE: AURORA 15KW 30_60MIN		VERSION: 1.0	DRAWN BY: HL
PAGE: 2/2	DATE: 080725	PROJECT: AURORA	DESIGNED BY: AA