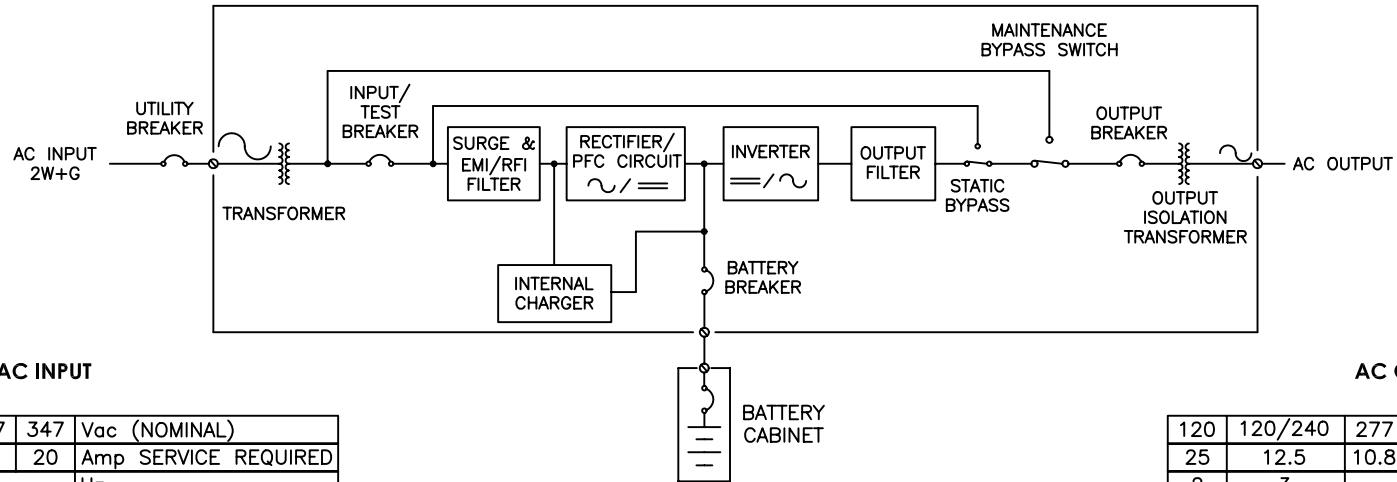


EMERGENCY LIGHTING INVERTER



AC INPUT

120	208	240	277	347	Vac (NOMINAL)
50	30	30	30	20	Amp SERVICE REQUIRED
60					Hz
1					PHASE
2					WIRE PLUS GROUND

AC OUTPUT

120	120/240	277	347	Vac (NOMINAL)
25	12.5	10.8	8.6	Amps
2	3	2		WIRE PLUS GROUND
60				Hz
1				PHASE

BATTERY DATA

BATTERIES: Always On

TYPE: VRLA

RUN TIME: 30, 60, 90, 120 MINUTES

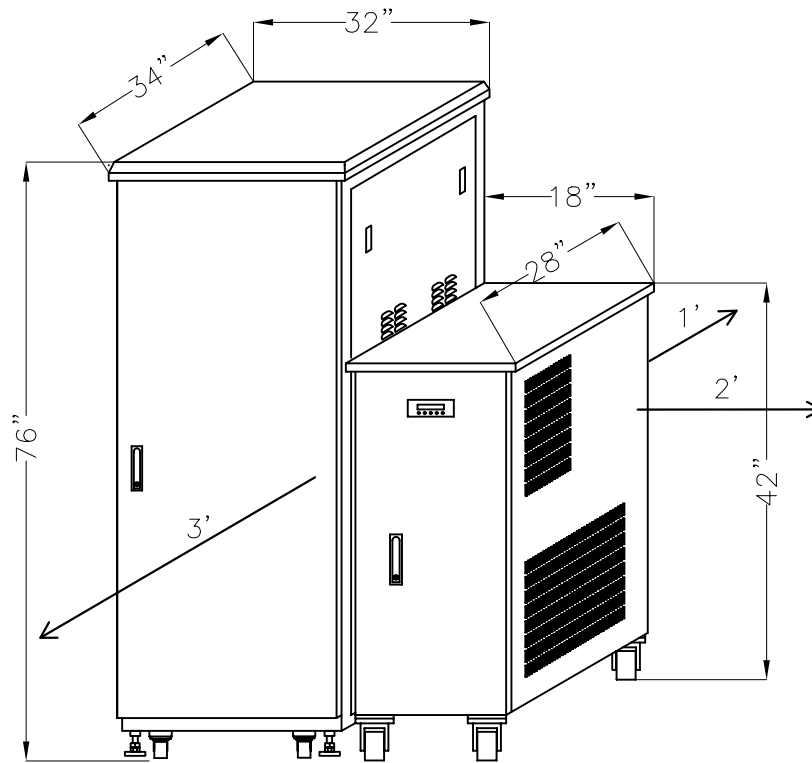
BTU RATING

BTU 2453
KW 0.73

STANDARD

F.A. CONTACTS
AS400 CARD

Always On UPS Systems Inc.			Kelowna B.C. alwayson.com PH:877-259-2976
AURORA 3KW SINGLE LINE 30/60/90/120 MINUTE BBU			Reproduction and/or use without express permission is prohibited by law.
FILE: AURORA 3KW 30_120MIN	VERSION: 1.0	DRAWN BY: HL	
PAGE: 1/2	DATE: 080725	PROJECT: AURORA	DESIGNED BY: AA



BATTERY CABINET
32"X34"X76"

ELI CABINET
18"X28"X42"

WEIGHT

ELI CABINET 287LBS / 130KG

BATTERY CABINET (LBS/KG)

30MIN	60MIN	90MIN	120MIN
1347/611	1347/611	1632/740	1632/740

STANDARD

DRIP SHIELD

Always On UPS Systems Inc.

Kelowna B.C.
alwayson.com
PH:877-259-2976

AURORA 3KW DIMENSION
30/60/90/120 MINUTE BBU

Reproduction and/or
use without express
permission is
prohibited by law.

FILE: AURORA 3KW 30_120MIN

VERSION: 1.0

DRAWN BY: HL

PAGE: 2/2

DATE: 080725

PROJECT: AURORA

DESIGNED BY: AA