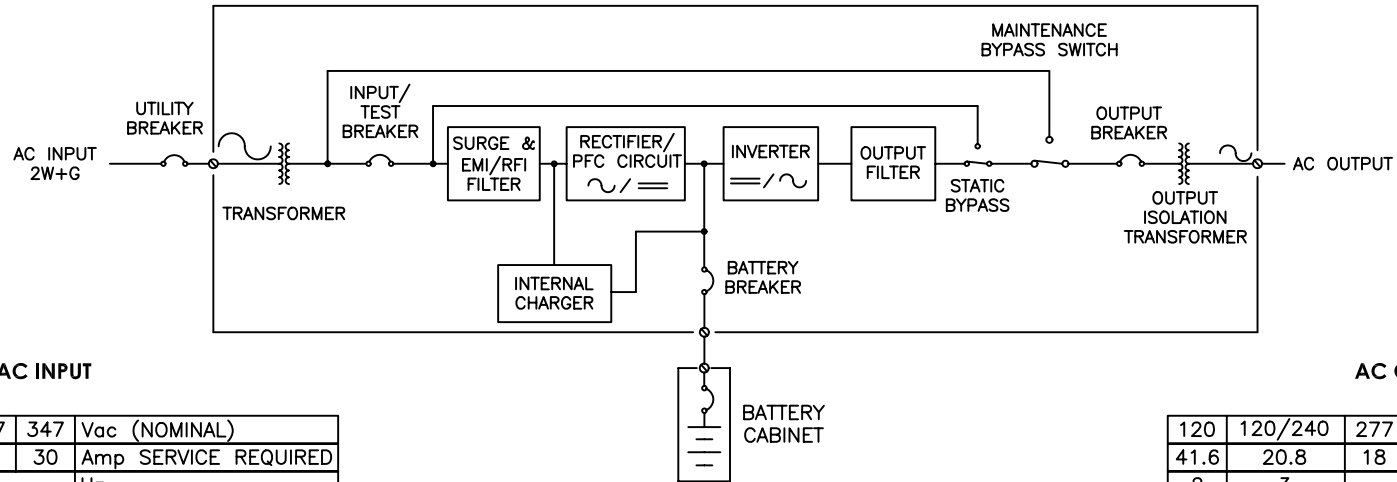


### EMERGENCY LIGHTING INVERTER



**AC INPUT**

120	208	240	277	347	Vac (NOMINAL)
80	50	40	40	30	Amp SERVICE REQUIRED
60					Hz
1					PHASE
2					WIRE PLUS GROUND

**AC OUTPUT**

120	120/240	277	347	Vac (NOMINAL)
41.6	20.8	18	14.4	Amps
2	3	2		WIRE PLUS GROUND
60				Hz
1				PHASE

**BATTERY DATA**

BATTERIES: Always On

TYPE: VRLA

RUN TIME: 30, 60, 90, 120 MINUTES

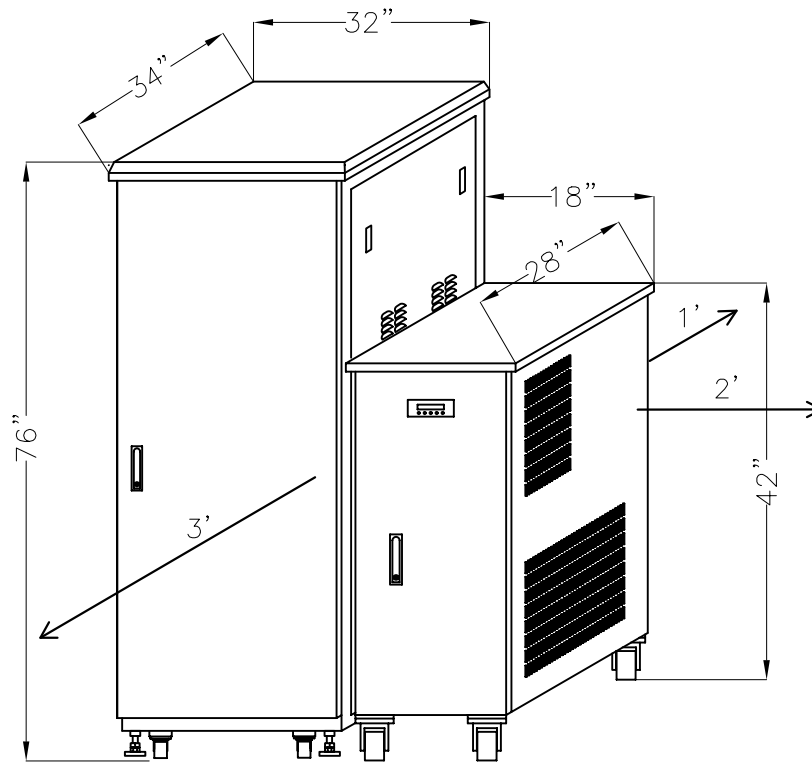
**BTU RATING**

BTU 3639  
KW 1.08

**STANDARD**

F.A. CONTACTS  
AS400 CARD

<b>Always On UPS Systems Inc.</b>			Kelowna B.C. alwayson.com PH:877-259-2976
AURORA 5KW SINGLE LINE 30/60/90/120 MINUTE BBU			Reproduction and/or use without express permission is prohibited by law.
FILE: AURORA 5KW 30_120MIN		VERSION: 1.0	DRAWN BY: HL
PAGE: 1/2	DATE: 080725	PROJECT: AURORA	DESIGNED BY: AA



BATTERY CABINET  
32"X34"X76"

ELI CABINET  
18"X28"X42"

**WEIGHT**

ELI CABINET 331LBS / 150KG

BATTERY CABINET (LBS/KG)

30MIN	60MIN	90MIN	120MIN
1347/611	1632/740	1912/867	2214/1004

**STANDARD**

DRIP SHIELD

<b>Always On UPS Systems Inc.</b>		Kelowna B.C. alwayson.com PH:877-259-2976
AURORA 5KW DIMENSION 30/60/90/120 MINUTE BBU		Reproduction and/or use without express permission is prohibited by law.
FILE: AURORA 5KW 30_120MIN	VERSION: 1.0	DRAWN BY: HL
PAGE: 2/2	DATE: 080725	PROJECT: AURORA
		DESIGNED BY: AA