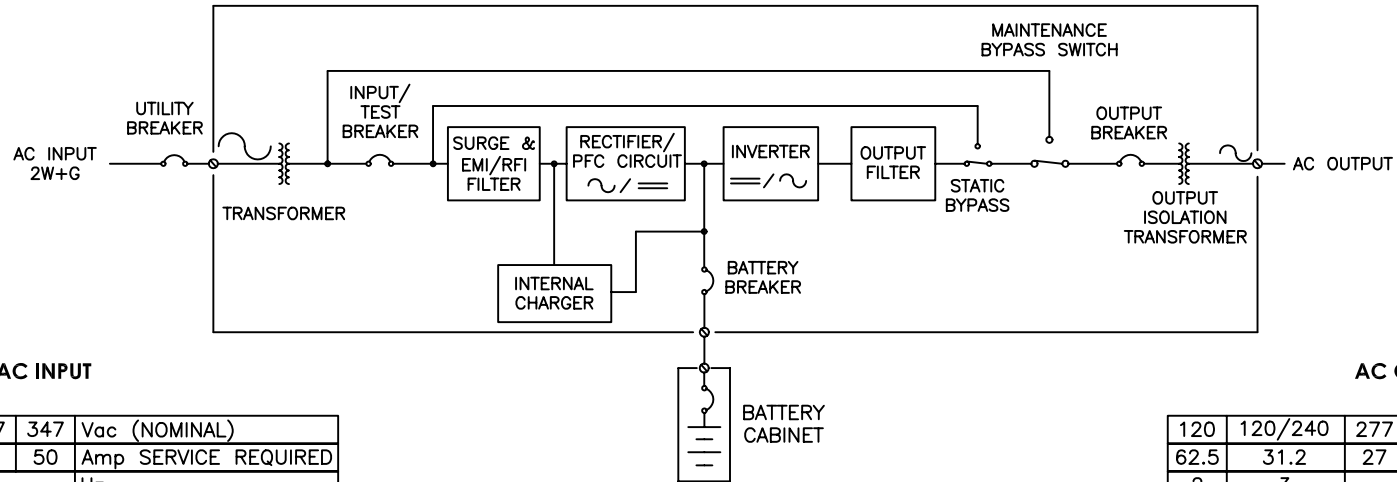


EMERGENCY LIGHTING INVERTER



AC INPUT

208	240	277	347	Vac (NOMINAL)
70	60	60	50	Amp SERVICE REQUIRED
60				Hz
1				PHASE
2				WIRE PLUS GROUND

AC OUTPUT

120	120/240	277	347	Vac (NOMINAL)
62.5	31.2	27	21.6	Amps
2	3	2		WIRE PLUS GROUND
60				Hz
1				PHASE

BATTERY DATA

BATTERIES: Always On

TYPE: VRLA

RUN TIME: 30, 60, 90, 120 MINUTES

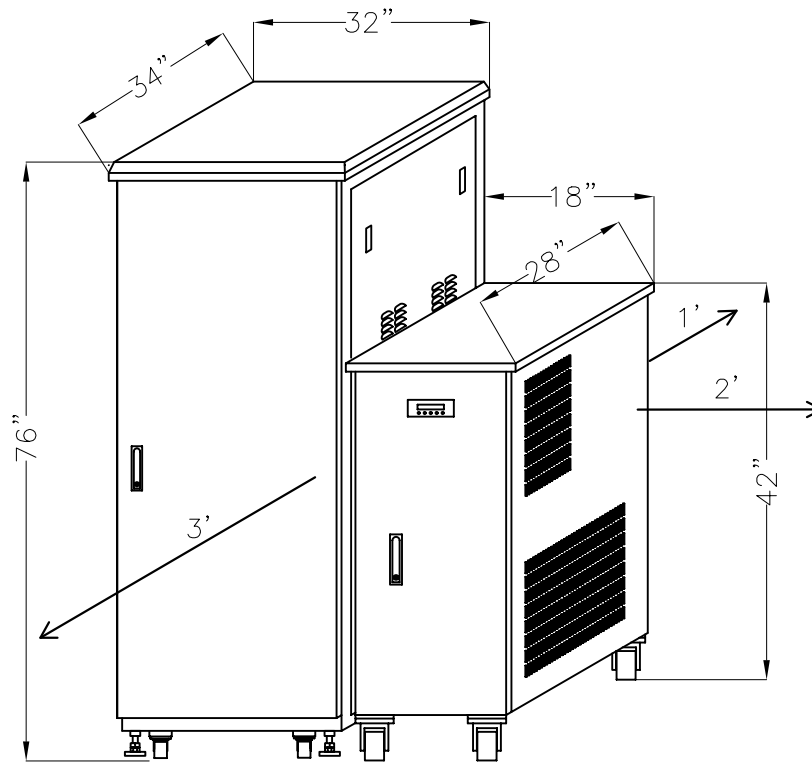
BTU RATING

BTU 5121  
KW 1.52

STANDARD

F.A. CONTACTS  
AS400 CARD

<b>Always On UPS Systems Inc.</b>		Kelowna B.C. alwayson.com PH:877-259-2976
AURORA 7.5KW SINGLE LINE 30/60/90/120 MINUTE BBU		Reproduction and/or use without express permission is prohibited by law.
FILE: AURORA 7500W 30_120MIN	VERSION: 1.0	DRAWN BY: HL
PAGE: 1/2	DATE: 080725	PROJECT: AURORA
		DESIGNED BY: AA



BATTERY CABINET  
32"X34"X76"

ELI CABINET  
18"X28"X42"

**WEIGHT**

ELI CABINET 331LBS / 150KG

BATTERY CABINET (LBS/KG)

30MIN	60MIN	90MIN	120MIN
1632/740	1912/867	2214/1004	2776/1259

**STANDARD**

DRIP SHIELD

**Always On UPS Systems Inc.**

Kelowna B.C.  
alwayson.com  
PH:877-259-2976

AURORA 7.5KW DIMENSION  
30/60/90/120 MINUTE BBU

Reproduction and/or  
use without express  
permission is  
prohibited by law.

FILE: AURORA 7500W 30\_120MIN

VERSION: 1.0

DRAWN BY: HL

PAGE: 2/2

DATE: 080725

PROJECT: AURORA

DESIGNED BY: AA