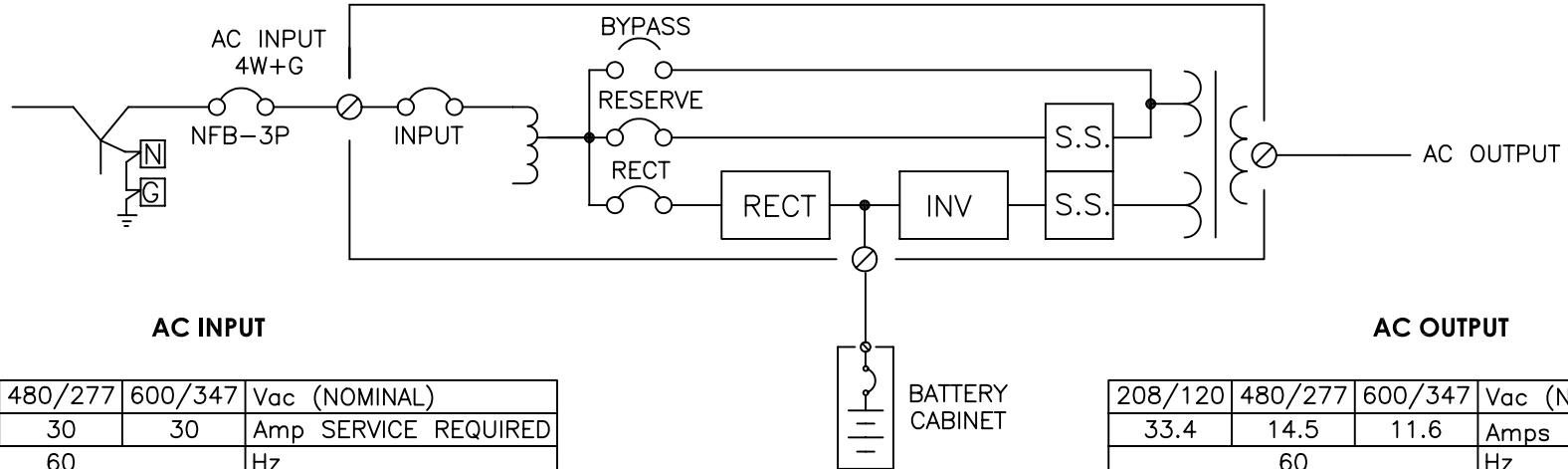


EMERGENCY LIGHTING INVERTER



AC INPUT

208/120	480/277	600/347	Vac (NOMINAL)
70	30	30	Amp SERVICE REQUIRED
	60		Hz
	3		PHASE
	4		WIRE PLUS GROUND

AC OUTPUT

208/120	480/277	600/347	Vac (NOMINAL)
33.4	14.5	11.6	Amps (MAXIMUM)
	60		Hz
	3		PHASE
	4		WIRE PLUS GROUND

BATTERY DATA

BATTERIES: Always On

TYPE: VRLA

RUN TIME: 30, 60, 90, 120 MINUTES

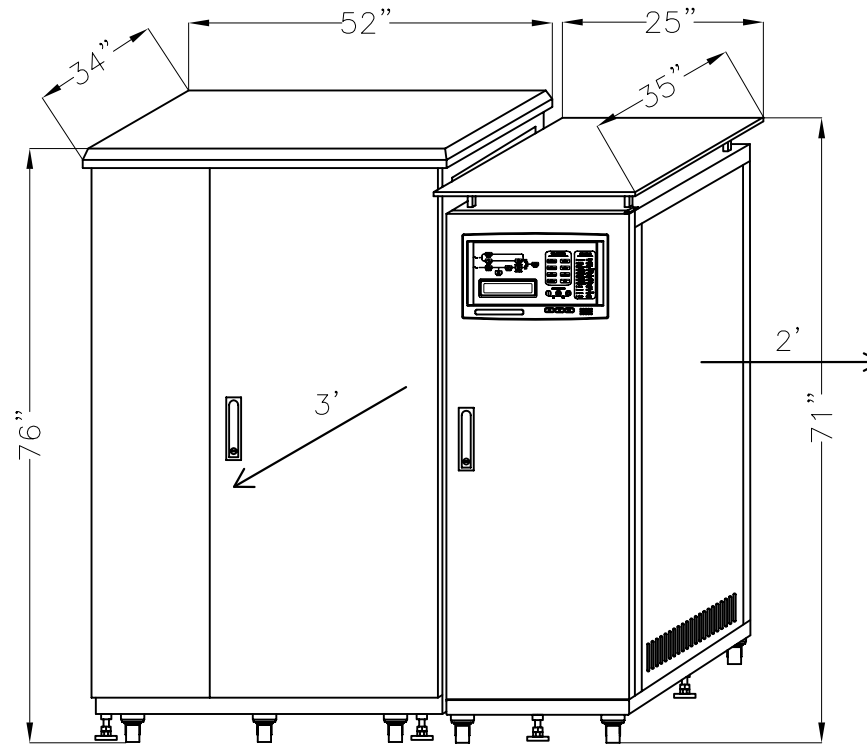
BTU RATING

BTU 3989
KW 1.18

STANDARD

SNMP
F.A. CONTACTS
AS400 CARD

Always On UPS Systems Inc.		Kelowna B.C. alwayson.com PH:877-259-2976
BOREALIS 12KW SINGLE LINE 30/60/90/120 MINUTE BBU		Reproduction and/or use without express permission is prohibited by law.
FILE: BOREALIS 12KW 30_120MIN	VERSION: 1.0	DRAWN BY: HL
PAGE: 1/2	DATE: 080724	PROJECT: BOREALIS
		DESIGNED BY: AA



BATTERY CABINET
52"X34"X76"

ELI CABINET WITH DRIP SHIELD
25"X35"X71"

WEIGHT

ELI CABINET 915LBS / 415KG

BATTERY CABINET (LBS/KG)

30MIN	60MIN	90MIN	120MIN
2205/1000	2655/1204	3890/1764	3890/1764

STANDARD

DRIP SHIELD

Always On UPS Systems Inc.

Kelowna B.C.
alwayson.com
PH:877-259-2976

BOREALIS 12KW DIMENSION
30/60/90/120 MINUTE BBU

Reproduction and/or
use without express
permission is
prohibited by law.

FILE: BOREALIS 12KW 30_120MIN

VERSION: 1.0

DRAWN BY: HL

PAGE: 2/2

DATE: 080724

PROJECT: BOREALIS

DESIGNED BY: AA