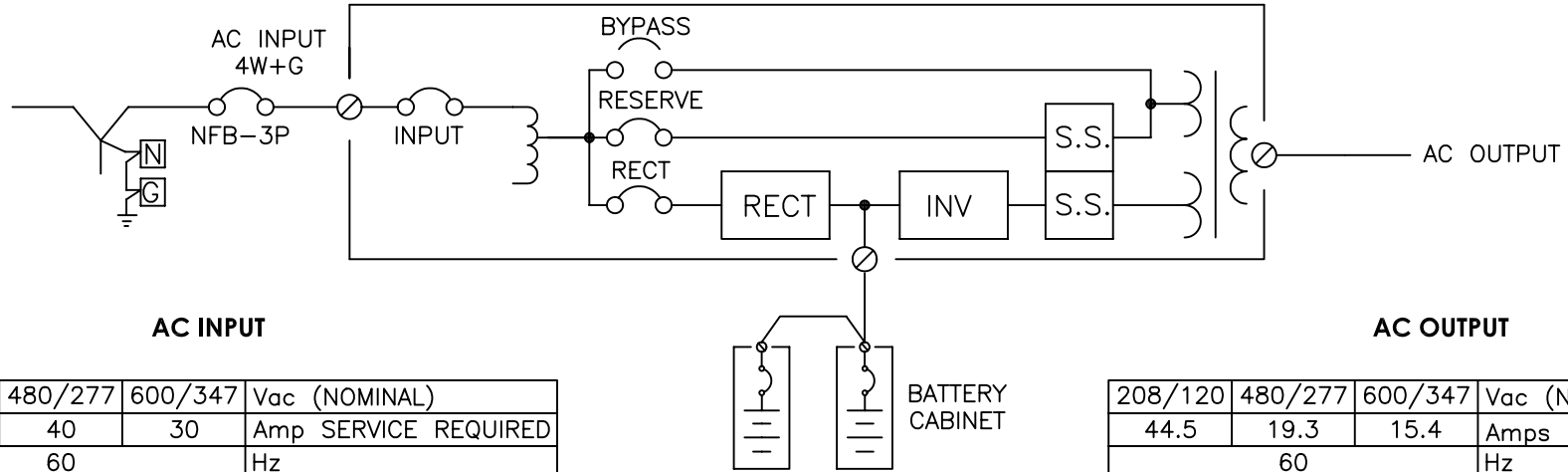


EMERGENCY LIGHTING INVERTER

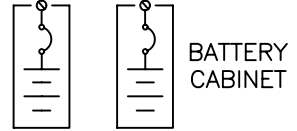


AC INPUT

208/120	480/277	600/347	Vac (NOMINAL)
90	40	30	Amp SERVICE REQUIRED
	60		Hz
	3		PHASE
	4		WIRE PLUS GROUND

AC OUTPUT

208/120	480/277	600/347	Vac (NOMINAL)
44.5	19.3	15.4	Amps (MAXIMUM)
	60		Hz
	3		PHASE
	4		WIRE PLUS GROUND



BATTERY DATA

BATTERIES: Always On
 TYPE: VRLA
 RUN TIME: 120 MINUTES

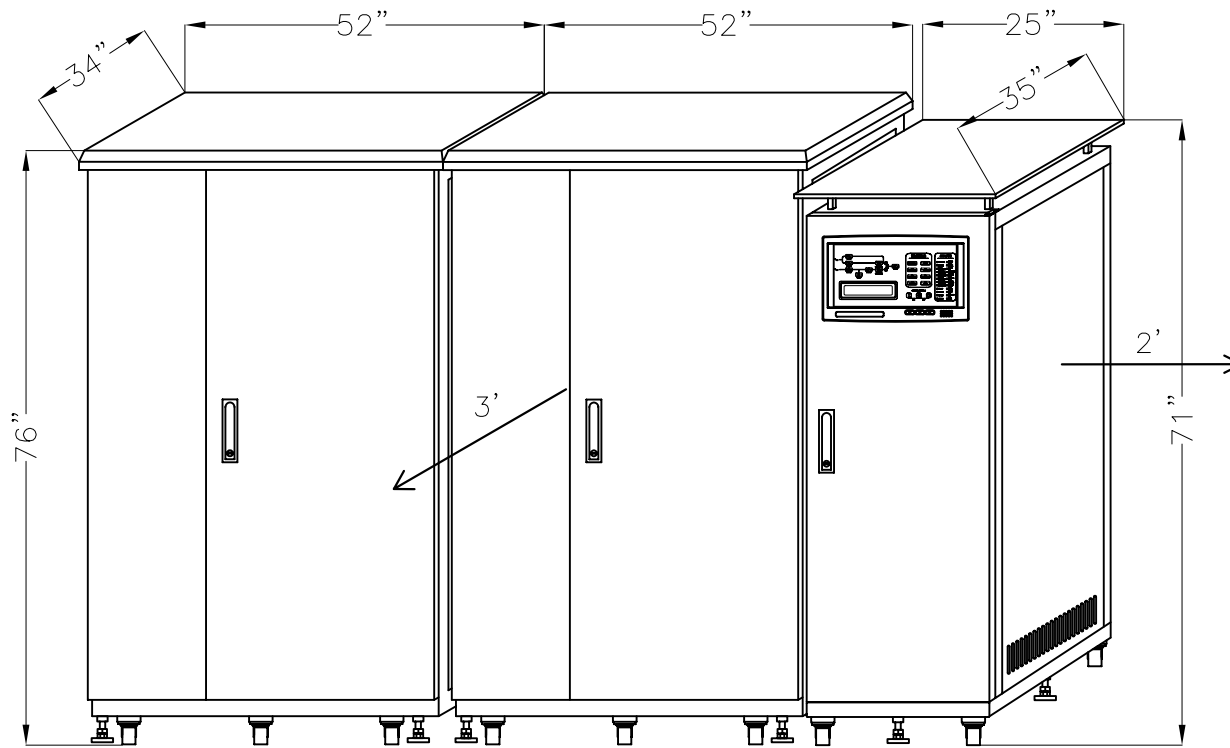
BTU RATING

BTU 5319
 KW 1.58

STANDARD

SNMP
 F.A. CONTACTS
 AS400 CARD

Always On UPS Systems Inc.		Kelowna B.C. alwayson.com PH:877-259-2976	
BOREALIS 16KW SINGLE LINE 120 MINUTE BBU		Reproduction and/or use without express permission is prohibited by law.	
FILE: BOREALIS 16KW 120MIN		VERSION: 1.0	DRAWN BY: HL
PAGE: 1/2	DATE: 080724	PROJECT: BOREALIS	DESIGNED BY: AA



BATTERY CABINET
52"X34"X76"

BATTERY CABINET
52"X34"X76"

ELI CABINET WITH DRIP SHIELD
25"X35"X71"

WEIGHT

ELI CABINET 992LBS / 450KG
BATTERY CABINET 2X3083LBS / 2X1398KG

STANDARD

DRIP SHIELD

Always On UPS Systems Inc.

Kelowna B.C.
alwayson.com
PH:877-259-2976

BOREALIS 16KW DIMENSION
120 MINUTE BBU

Reproduction and/or
use without express
permission is
prohibited by law.

FILE: BOREALIS 16KW 120MIN

VERSION: 1.0

DRAWN BY: HL

PAGE: 2/2

DATE: 080724

PROJECT: BOREALIS

DESIGNED BY: AA