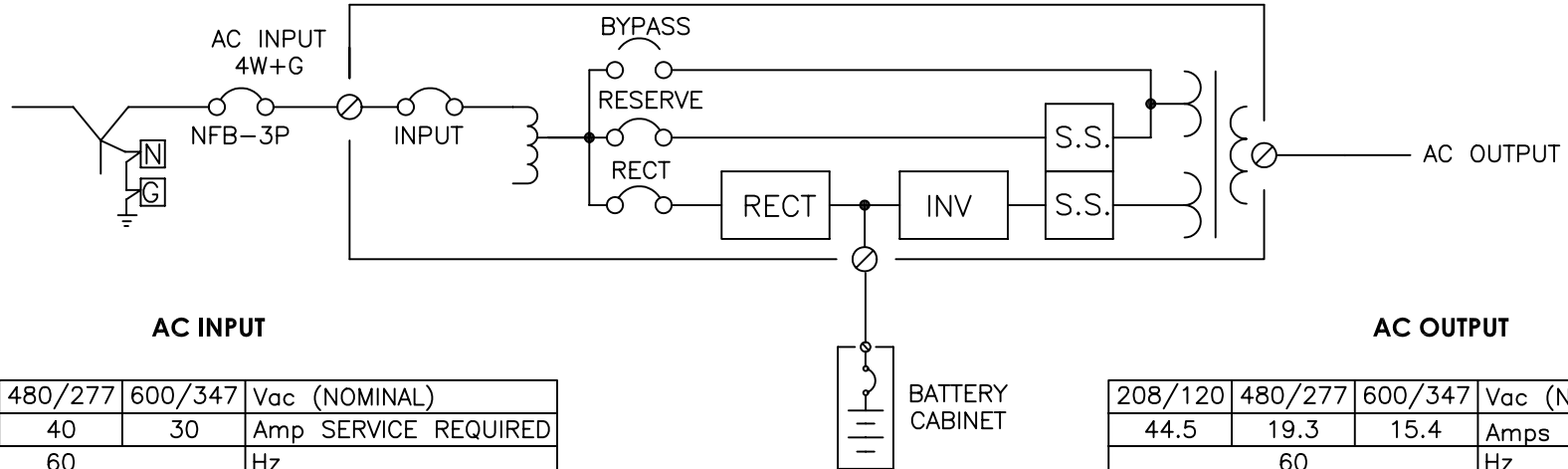


### EMERGENCY LIGHTING INVERTER



#### AC INPUT

208/120	480/277	600/347	Vac (NOMINAL)
90	40	30	Amp SERVICE REQUIRED
	60		Hz
	3		PHASE
	4		WIRE PLUS GROUND

#### AC OUTPUT

208/120	480/277	600/347	Vac (NOMINAL)
44.5	19.3	15.4	Amps (MAXIMUM)
	60		Hz
	3		PHASE
	4		WIRE PLUS GROUND

#### BATTERY DATA

BATTERIES: Always On

TYPE: VRLA

RUN TIME: 30, 60, 90 MINUTES

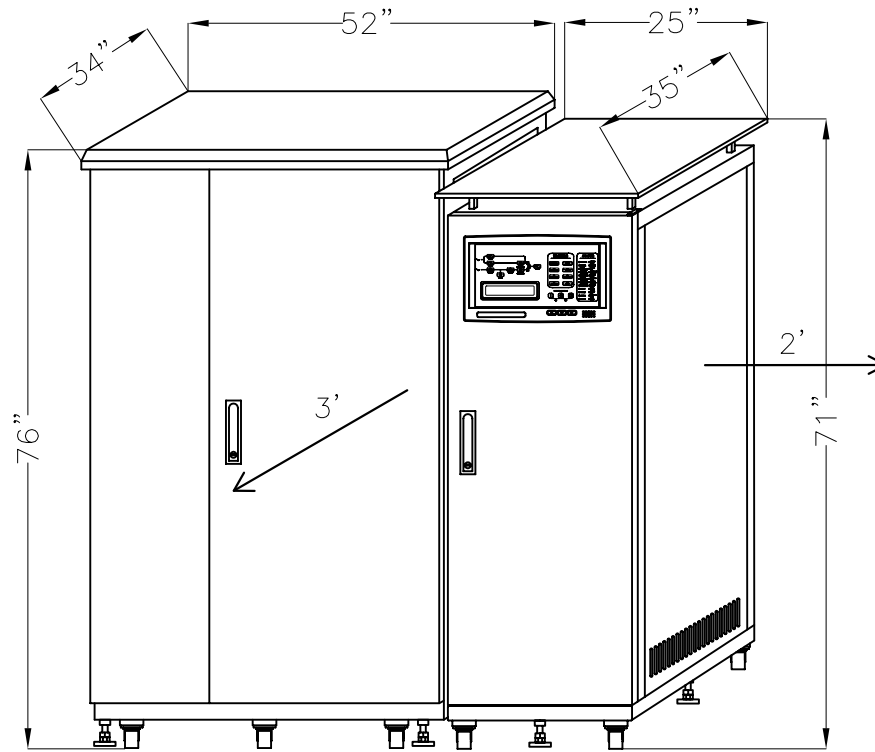
#### BTU RATING

BTU 5319  
KW 1.58

#### STANDARD

SNMP  
F.A. CONTACTS  
AS400 CARD

<b>Always On UPS Systems Inc.</b>		Kelowna B.C. alwayson.com PH:877-259-2976
BOREALIS 16KW SINGLE LINE 30/60/90 MINUTE BBU		Reproduction and/or use without express permission is prohibited by law.
FILE: BOREALIS 16KW 30_90MIN	VERSION: 1.0	DRAWN BY: HL
PAGE: 1/2	DATE: 080724	PROJECT: BOREALIS
		DESIGNED BY: AA



BATTERY CABINET  
52"X34"X76"

ELI CABINET WITH DRIP SHIELD  
25"X35"X71"

**WEIGHT**

ELI CABINET 992LBS / 450KG

BATTERY CABINET (LBS/KG)

30MIN	60MIN	90MIN
2655/1204	3083/1398	3890/1764

**STANDARD**

DRIP SHIELD

**Always On UPS Systems Inc.**

Kelowna B.C.  
alwayson.com  
PH:877-259-2976

BOREALIS 16KW DIMENSION  
30/60/90 MINUTE BBU

Reproduction and/or  
use without express  
permission is  
prohibited by law.

FILE: BOREALIS 16KW 30\_90MIN

VERSION: 1.0

DRAWN BY: HL

PAGE: 2/2

DATE: 080724

PROJECT: BOREALIS

DESIGNED BY: AA