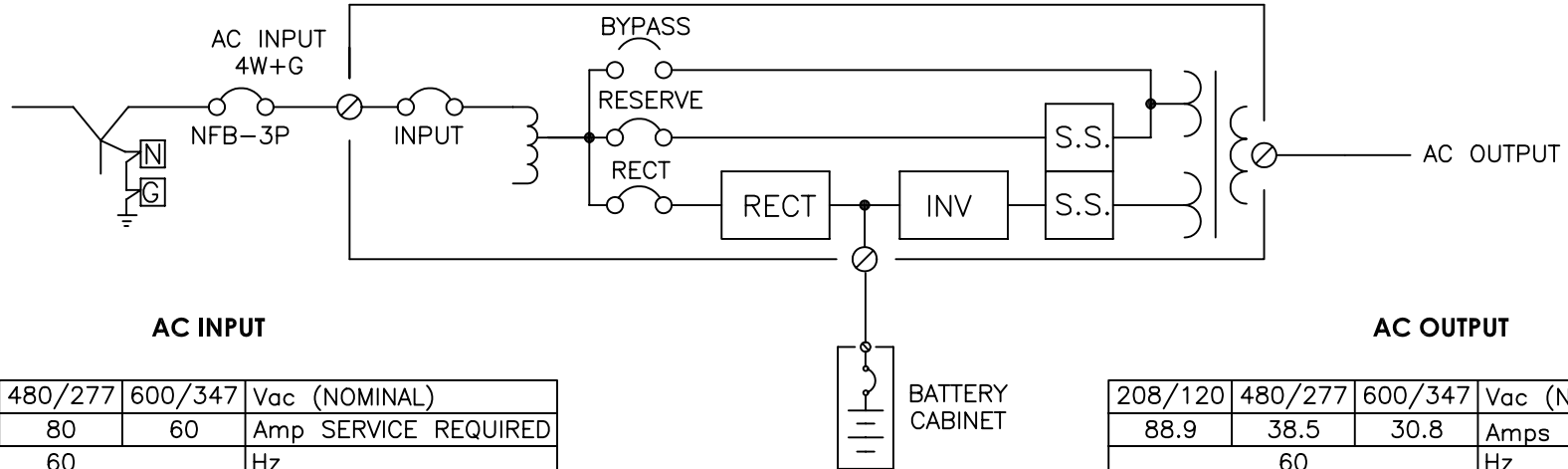


### EMERGENCY LIGHTING INVERTER

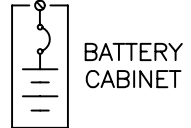


**AC INPUT**

208/120	480/277	600/347	Vac (NOMINAL)
175	80	60	Amp SERVICE REQUIRED
	60		Hz
	3		PHASE
	4		WIRE PLUS GROUND

**AC OUTPUT**

208/120	480/277	600/347	Vac (NOMINAL)
88.9	38.5	30.8	Amps (MAXIMUM)
	60		Hz
	3		PHASE
	4		WIRE PLUS GROUND



**BATTERY DATA**

BATTERIES: Always On  
 TYPE: VRLA  
 RUN TIME: 30 MINUTES

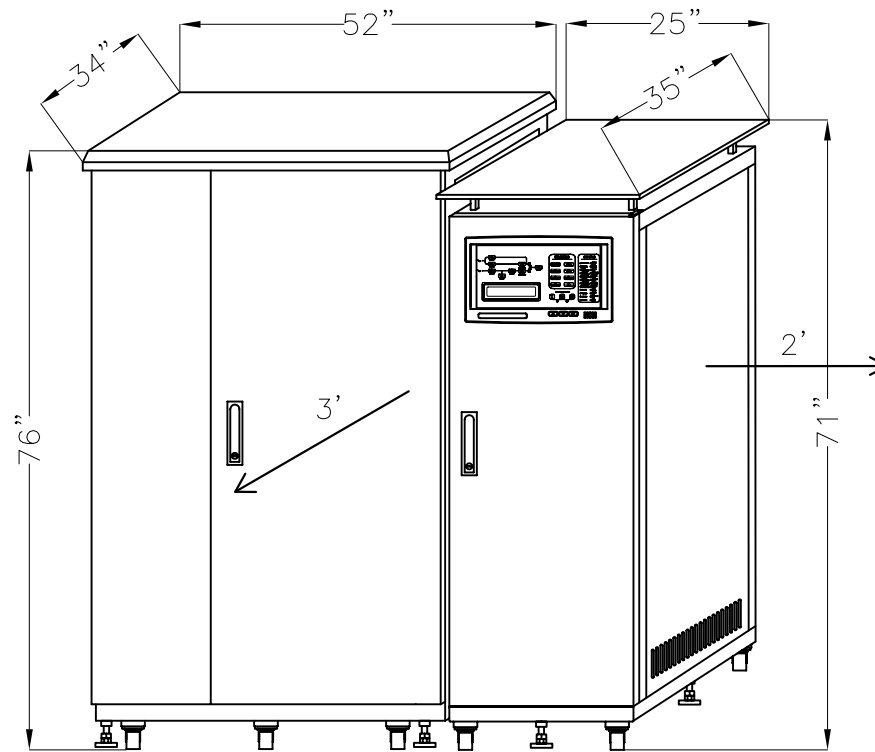
**BTU RATING**

BTU 9990  
 KW 2.93

**STANDARD**

SNMP  
 F.A. CONTACTS  
 AS400 CARD

<b>Always On UPS Systems Inc.</b>		Kelowna B.C. alwayson.com PH:877-259-2976
BOREALIS 32KW SINGLE LINE 30 MINUTE BBU		Reproduction and/or use without express permission is prohibited by law.
FILE: BOREALIS 32KW 30MIN	VERSION: 1.0	DRAWN BY: HL
PAGE: 1/2	DATE: 080724	PROJECT: BOREALIS
		DESIGNED BY: AA



BATTERY CABINET  
52"X34"X76"

ELI CABINET WITH DRIP SHIELD  
25"X35"X71"

**WEIGHT**

ELI CABINET 1433LBS / 650KG  
BATTERY CABINET 3890LBS / 1764KG

**STANDARD**

DRIP SHIELD

<b>Always On UPS Systems Inc.</b>		Kelowna B.C. alwayson.com PH:877-259-2976
BOREALIS 32KW DIMENSION 30 MINUTE BBU		Reproduction and/or use without express permission is prohibited by law.
FILE: BOREALIS 32KW 30MIN	VERSION: 1.0	DRAWN BY: HL
PAGE: 2/2	DATE: 080724	PROJECT: BOREALIS
		DESIGNED BY: AA