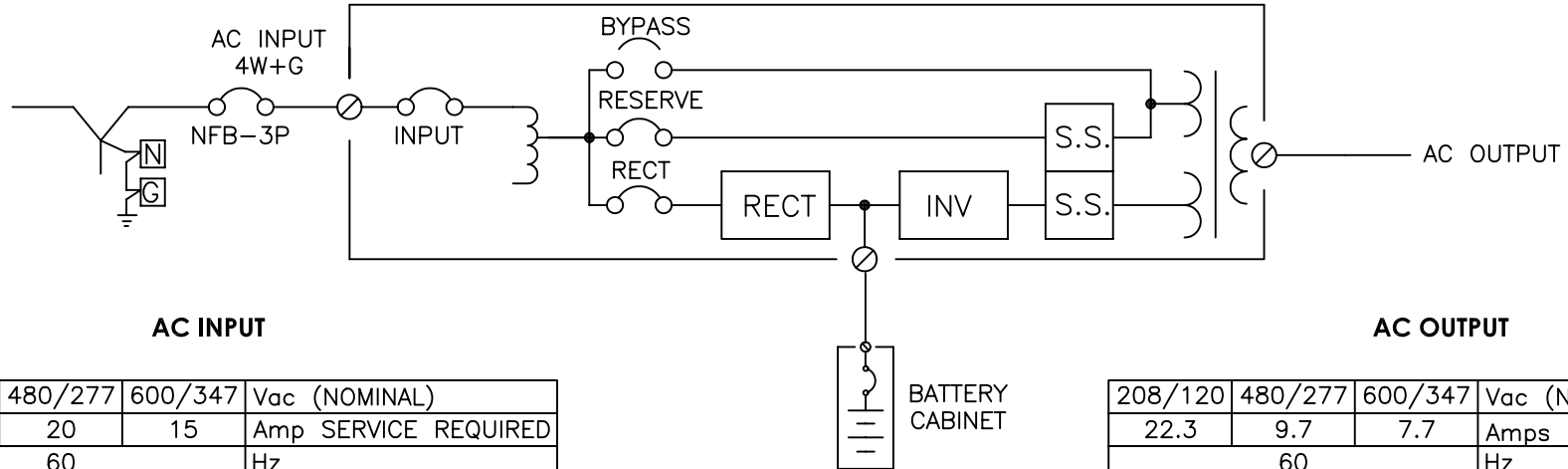


### EMERGENCY LIGHTING INVERTER



#### AC INPUT

208/120	480/277	600/347	Vac (NOMINAL)
50	20	15	Amp SERVICE REQUIRED
	60		Hz
	3		PHASE
	4		WIRE PLUS GROUND

#### AC OUTPUT

208/120	480/277	600/347	Vac (NOMINAL)
22.3	9.7	7.7	Amps (MAXIMUM)
	60		Hz
	3		PHASE
	4		WIRE PLUS GROUND

#### BATTERY DATA

BATTERIES: Always On

TYPE: VRLA

RUN TIME: 30, 60, 90, 120 MINUTES

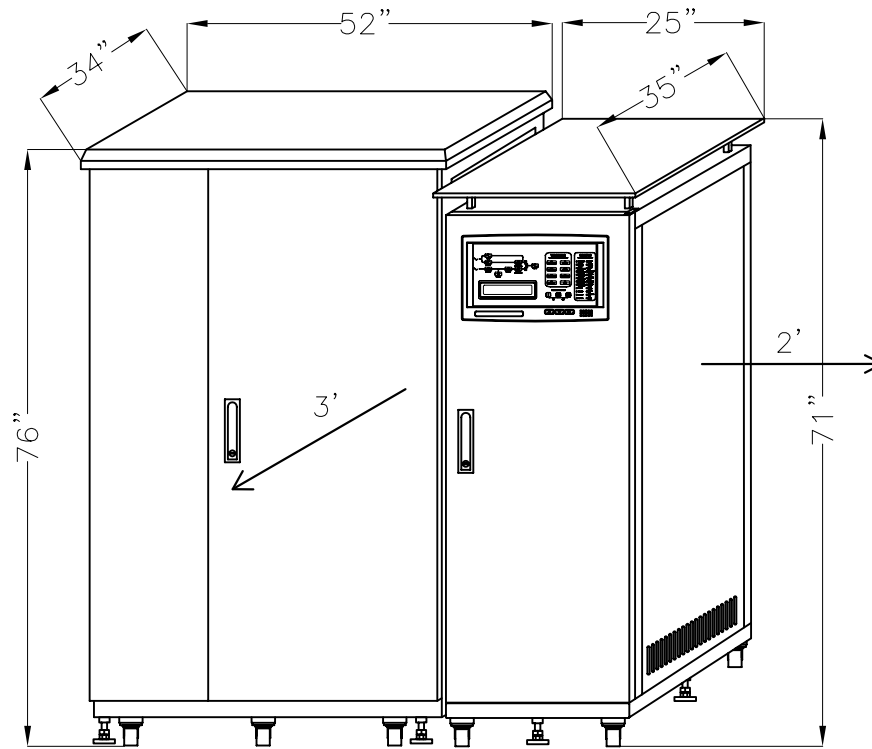
#### BTU RATING

BTU 2662  
KW 0.79

#### STANDARD

SNMP  
F.A. CONTACTS  
AS400 CARD

<b>Always On UPS Systems Inc.</b>		Kelowna B.C. alwayson.com PH:877-259-2976
BOREALIS 8KW SINGLE LINE 30/60/90/120 MINUTE BBU		Reproduction and/or use without express permission is prohibited by law.
FILE: BOREALIS 8KW 30_120MIN	VERSION: 1.0	DRAWN BY: HL
PAGE: 1/2	DATE: 080724	PROJECT: BOREALIS
		DESIGNED BY: AA



BATTERY CABINET  
52"X34"X76"

ELI CABINET WITH DRIP SHIELD  
25"X35"X71"

**WEIGHT**

ELI CABINET 838LBS / 380KG

BATTERY CABINET (LBS/KG)

30MIN	60MIN	90MIN	120MIN
1795/814	2205/1000	2655/1204	3083/1398

**STANDARD**

DRIP SHIELD

**Always On UPS Systems Inc.**

Kelowna B.C.  
alwayson.com  
PH:877-259-2976

BOREALIS 8KW DIMENSION  
30/60/90/120 MINUTE BBU

Reproduction and/or  
use without express  
permission is  
prohibited by law.

FILE: BOREALIS 8KW 30\_120MIN

VERSION: 1.0

DRAWN BY: HL

PAGE: 2/2

DATE: 080724

PROJECT: BOREALIS

DESIGNED BY: AA